

❖ AM-1600 CL / AB-1600 CL

Progressive Scan IT CCD

C₃ Camera Suite
Unlimited
Digital
Switchability



- Member of C₃ Advanced series
- 4872 (h) x 3248 (v) 7.4 μ m square pixels
- 43.3 mm progressive scan IT CCD – Monochrome and Bayer mosaic color versions
- 3 frames/second with full resolution in continuous operation
- Increased frame rate with binning (AM-1600 CL) and partial scan
- Pre-select and Pulse Width trigger modes
- Electronic shutter with preset or programmable operation to 1/3378 seconds
- Several pre-processing functions for offloading host PC such as:
 - LUT for Gamma/Knee function
 - Pixel blemish compensation
 - Flat-field compensation (AM-1600CL only)
 - Test pattern generator function
- LVAL-synchronous/-asynchronous operation (auto-detect)
- Analog video output for auto-iris lens control
- Camera Link interface with 12, 10 or 8-bit output
- Setup by Windows NT/2000/XP via Serial Communications

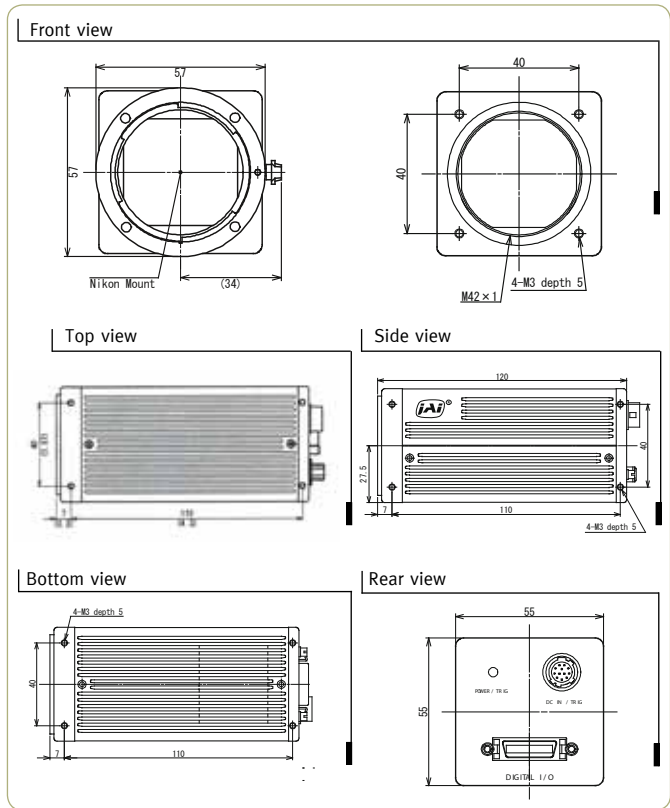
CAMERA
Link



Specifications for AM-1600 CL / AB-1600 CL

Specifications	AM-1600 CL / AB-1600 CL
Sensor	43.3 mm progressive scan IT CCD
Pixel Clock	30.00 MHz
Frame rate full frame	2.99 frames/second (dual tap)
Active area	36.1 (h) x 24.0 (v) mm
Cell size	7.4 x 7.4 μ m
Active pixels	4872 (h) x 3248 (v)
Color (AB-1600 CL)	Raw Bayer output, host based interpolation
Read-out modes	Full 4872 (h) x 3248 (v) 3.05 fps 1/2 partial scan 4872 (h) x 1624 (v) 5.51 fps 1/4 partial scan 4872 (h) x 814 (v) 9.26 fps Binning 2x (H & V independently selectable)
Sensitivity (AM-1600 CL)	0.02 Lux (On sensor, max. gain, shutter off, 50% video)
Sensitivity (AB-1600 CL)	0.35 Lux (On sensor, max. gain, shutter off, 50% video)
S/N ratio	>56 dB (0 dB gain)
Video output	Camera Link, 8-bit, 10-bit or 12-bit
Gain	Manual - 3 to 12 dB
Gamma/Knee	Fixed 0.45 or 256 point LUT
Synchronization	Internal X-tal
Inputs	Camera Link Ext. trigger, LVDS (CC1) TTL Ext. trigger 4V +-2V
Outputs	Camera Link Clk., FVAL, LVAL, Data, EEN TTL XEEN
Trigger modes	Pre-select, Pulse Width
Accumulation	Auto-detect LVAL-sync / async
Electronic shutter	1/3 to 1/3200 in 10 steps
Pre-set shutter	295.98 μ s to 320.45 ms in increments of 98.66 μ s
Programmable	
Pre-processing functions	Blemish compensation, Gain and channel balance, Flat field correction, Programmable LUT, Test pattern generator
Control interface	Camera Link serial communication
Indicators on rear panel	LED for power and trigger input
Operating temperature	-5°C to +45°C
Humidity (operation)	20 - 90% non-condensing
Storage temp./humidity	25°C to +60°C / 20 to 90%
Vibration	10 G (20Hz to 200 Hz XYZ)
Shock	70 G
Regulations	CE (EN 61000-6-2, EN-61000-6-3), FCC part 15 class B, RoHS/WEEE
Power	12V DC +/-10%. 7.8 W
Lens mount	Universal P-mount Nikon F-mount
Dimensions (H x W x L)	55 (h) x 55 (w) x 120 (d)
Weight	410 g

Dimensions



Connector pin-out

DC In / Trigger

HIROSE HR10A-10R-12PB-01

Connector Pin	Pin-Out
1	GND
2	+12V DC input
3	GND
4	Iris Video
5	GND
6	NC
7	NC
8	GND
9	XEEN out
10	Trigger in*
11	DC +12V
12	GND

*Selectable via CL or 12-pin Hirose
Note: Factory default is trigger via CL

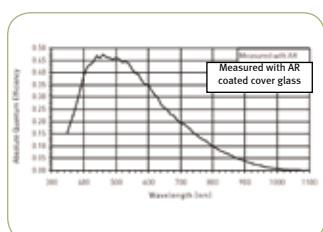
Camera Link interface

Pin	Signal	Function
1	14	GND- CL Data
2	15	-/+ TxOUT0 CL Data
3	16	-/+ TxOUT1 CL Data
4	17	-/+ TxOUT2 CL Data
5	18	-/+ TxCLK CL Clk
6	19	-/+ TxOUT3 CL Data
7	20	+/- RXD Serial in
8	21	-/+ TXD Serial out
9	22	-/+ Trigger Ext. trigger
10	23	+/- Reserved Not used
11	24	NC Not used
12	25	NC Not used
13	26	GND Not used

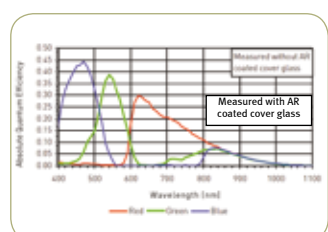
Ordering Information

AM-1600 CL	43.3 mm Monochrome Progressive Scan Camera
AB-1600 CL	43.3 mm Bayer Mosaic Color Progressive Scan Camera

Spectral Response AM-1600 CL



Spectral Response AB-1600 CL



C3 Camera Suite Unlimited Digital Switchability

Europe, Middle East & Africa
Phone +45 4457 8888
Fax +45 4491 3252

Asia Pacific
Phone +81 45 440 0154
Fax +81 45 440 0166

Americas
Phone (Toll-Free) 1 800 445 5444
Phone +1 408 383 0300

Visit our web site on www.jai.com

See the possibilities

